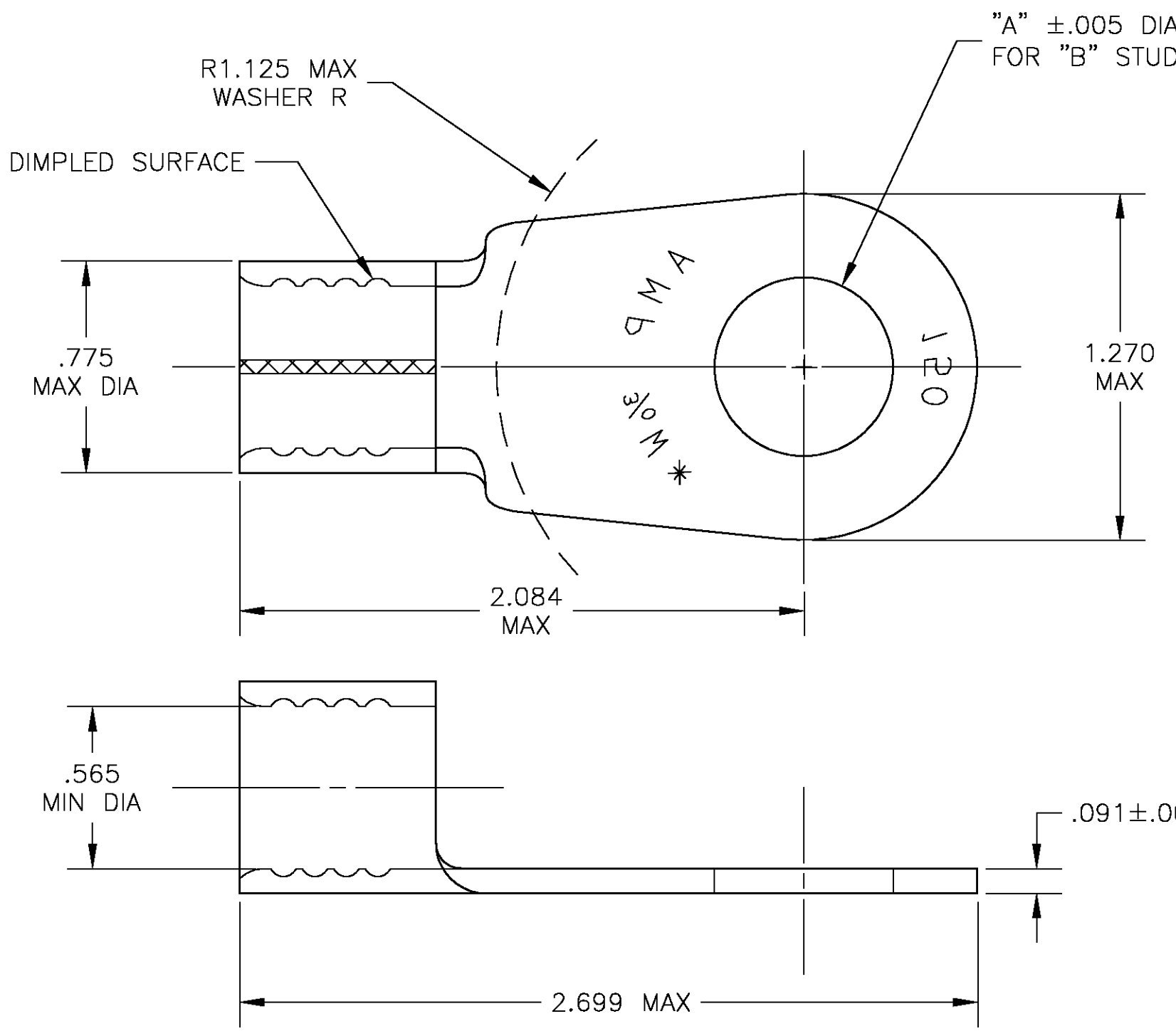


THIS DRAWING IS UNPUBLISHED. RELEASED FOR PUBLICATION
 © COPYRIGHT BY TYCO ELECTRONICS CORPORATION. ALL RIGHTS RESERVED.

LOC	DIST	REVISIONS			
P	LTR	DESCRIPTION	DATE	DWN	APVD
G	86	G	REDRAWN PER 0G3A-0395-04	02JUN04	JR MS



- △1 COPPER PER ASTM B-152, ANNEALED
- △2 TIN PER ASTM B-545

OBSOLETE	1/2	.515	1-322222-0
	5/8	.656	322222
	DIM "B"	DIM "A"	PART NO

THIS DRAWING IS A CONTROLLED DOCUMENT.		DWN jr_ruth 02JUN04	Tyco Electronics Corporation Harrisburg, PA 17105	
DIMENSIONS: INCHES 		CHK MJ SPICER 02JUN04		
TOLERANCES UNLESS OTHERWISE SPECIFIED: 0 PLC ± - 1 PLC ± - 2 PLC ± - 3 PLC ± .008 4 PLC ± - ANGLES ± 5°		APVD MJ SPICER 02JUN04	NAME TERMINAL, SOLISTRAND, RING TONGUE, WIRE SIZE: 3/0 AWG	
MATERIAL - △1		FINISH - △2	PRODUCT SPEC -	APPLICATION SPEC -
		WEIGHT -	SIZE A3	CAGE CODE 00779
CUSTOMER DRAWING			DRAWING NO C-322222	RESTRICTED TO -
			SCALE 2:1	SHEET 1 OF 1
			REV G	